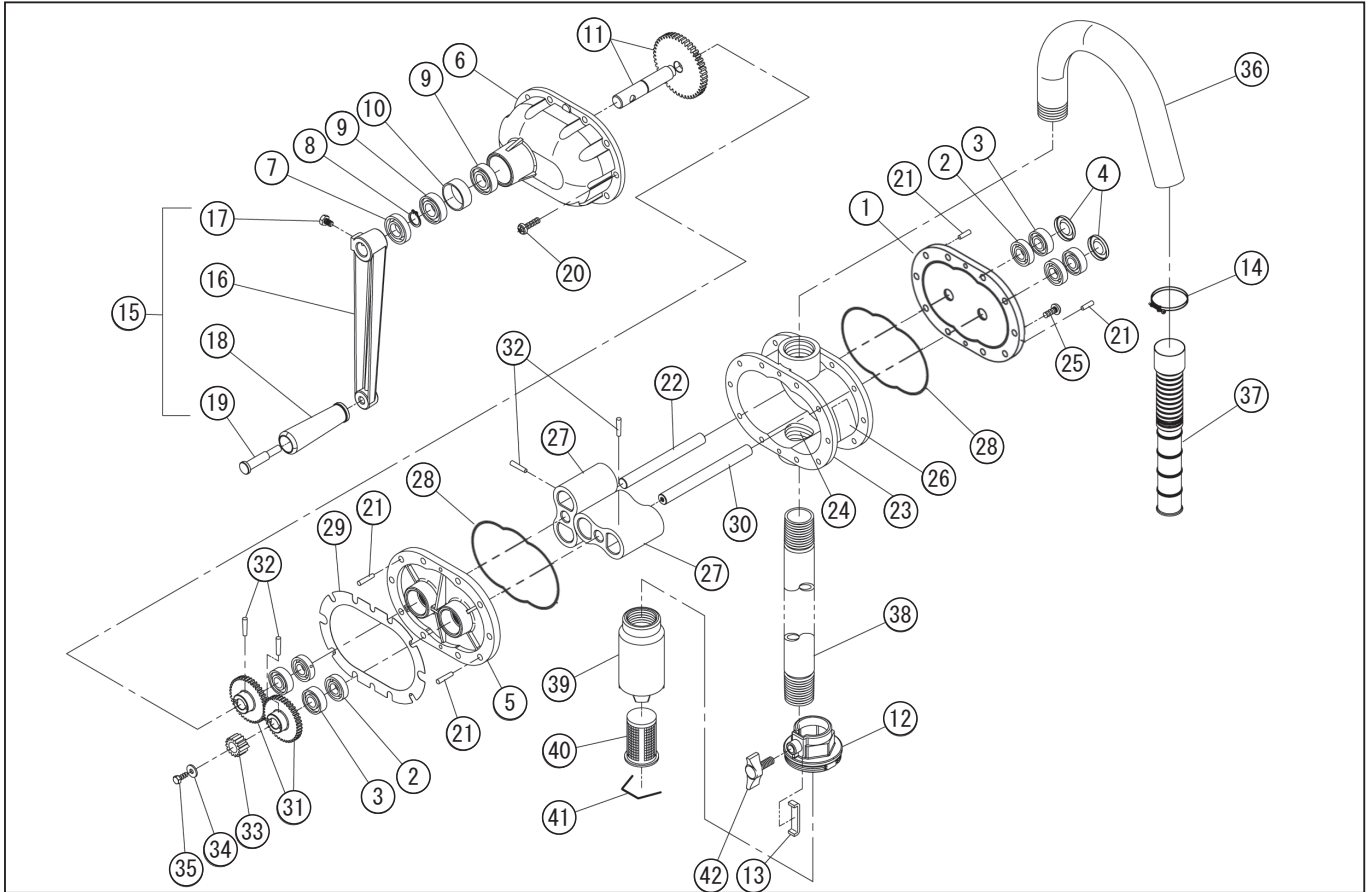


DWG No.003850424 MODEL:LP-32 FORM:LP-32-BAA-6

No.	PARTS CODE	PARTS NAME	QTY	MATERIAL/SIZE	REMARKS
1	0030102	OUT COVER	1	ADC	
2	893755032	OIL SEAL	4	NBR TC 12.28.7	
3	0030118	BEARING	4	6001	
4	0030021	BEARING CAP	2	SPGC	
5	0030101	INSIDE COVER	1	ADC	
6	0030103	GEAR COVER	1	ADC	
7	893555055	OIL SEAL	1	NBR SC 15327	
8	888327015	STOP RING	1	15SK	
9	0030119	BEARING	2	6002	
10	0030023	BEARING COLLAR	1		
11	0038002	LP-32 GEAR ASSY	1		
12	0010065	SB-25 LARGE SCREW	1	ADC	
13	0010050	SC-25 STOPPER	1		
14	940019036	HOSE BAND	1	φ 36	
15	0038001	HANDLE ASSY	1		
16	0030020	HANDLE	1		
17	735719098	HEXAGON BOLT	1	M6X12	
18	0010055	HANDLE GRIP	1	NYLON	
19	0010139	HANDLE RIVET	1	SWRM	
20	003006201	+ SCREW	10	M6X22	
21	848609074	TAPER PIN	4	5X10	
22	0030010	ROOTS 2ND SHAFT	1	S35C	
23	0030122	LP-32-1 HOUSING	1	ADC	
24	0030075	INSERT BUSHING			
25	0030063	+ SCREW	10	M6X15	
26	0030032	LP-32-BAA-6 NAME PLATE	1		
27	0030005	ROOTS	2	QUENCHED ALLOY IRON	
28	0030120	O-RING	2		
29	0030065	GEAR COVER PACKING	1	0.3T	
30	0030009	ROOTS MAIN SHAFT	1	S35C	

◆ Bare engine can not be supplied



DWG No.003850424 MODEL:LP-32 FORM:LP-32-BAA-6

No.	PARTS CODE	PARTS NAME	QTY	MATERIAL/SIZE	REMARKS
31	0030008	TIMING GEAR	2	QUENCHED ALLOY IRON	
32	849442030	PIN	4	φ 4x20	
33	0030007	PINION GEAR	1	QUENCHED ALLOY IRON	
34	0030060	PINION GEAR WASHER	1	SPC 1.6 t	
35	707819045	HEXAGON BOLT	1	M5X10	
36	0030017	BEND	1	ELECTRICAL WIRE PIPE 311	
37	0030044	DELIVERY HOSE	1	PE	
38	0030016	SUCTION PIPE	1	ELECTRICAL WIRE PIPE 311	
39	0030012	FILTER BODY	1	FC-20	
40	0030061	STRAINER	1		
41	0030013	FILTER STOPPER	1	SUS	
42	0010015	SC-20 WING BOLT	1	PC	
	0030059	OPERATION MANUAL	1	A5	

◆ Bare engine can not be supplied