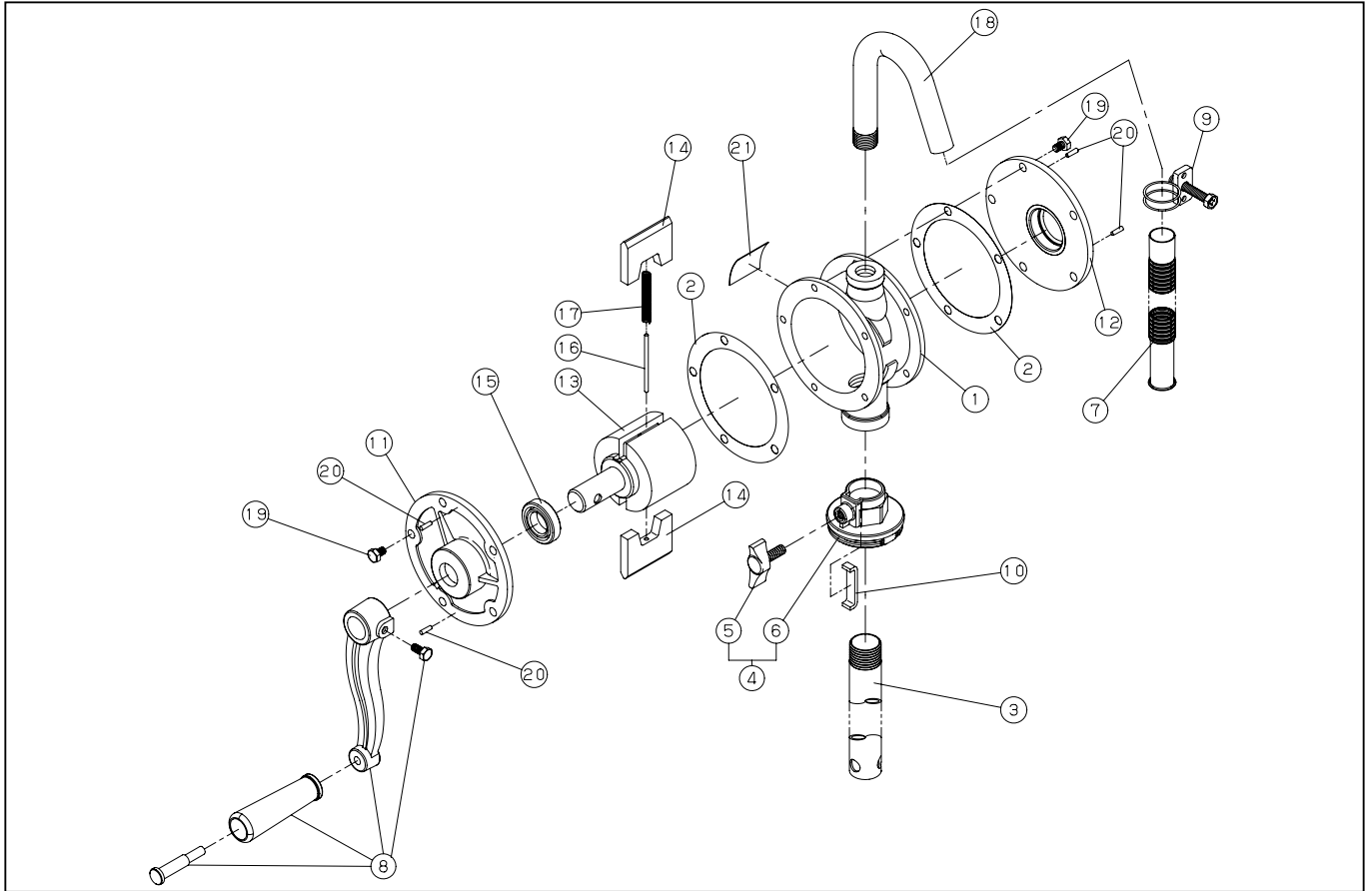


SB-20



DWG No.001851223 MODEL:SB-20 FORM:SB-20-BAA-0

No.	PARTS CODE	PARTS NAME	QTY	MATERIAL	SIZE	REMARKS
1	001804902	PUMP BODY	1	PPS		
2	001001402	COVER PACKING	2	THREE SHEETS		
3	001005803	SUCTION PIPE	1	STKM		
4	001802501	SCREW ASSY	1			
5	001001505	WING BOLT	1	PC		
6	001006605	LARGE SCREW	1	ADC		
7	001012401	DELIVERY HOSE	1	PE		
8	001800901	HANDLE ASSY	1			
9	940019022	HOSE BAND	1		φ 22	
10	001005001	STOPPER	1			
11	001000211	FRONT COVER	1	FC-20		
12	001000306	REAR COVER	1	FC-20		
13	001000405	SHAFT	1	FC-20		
14	001035201	IMPELLER	2	PPS		
15	001002005	OIL SEAL	1	NBR		
16	001001101	SPRING GUIDE	1	SS	3X56	
17	001001001	SPRING	1	SWP		
18	001000902	BEND	1	STKM		
19	735718098	HEXAGON BOLT	10		M6X12	
20	848009187	TAPER PIN	4		Φ 4x10	
21	001008302	NAME PLATE	1	T FILM		
	001014704	PACKING CASE	1			
	059019001	SER.NO.LABEL	1			