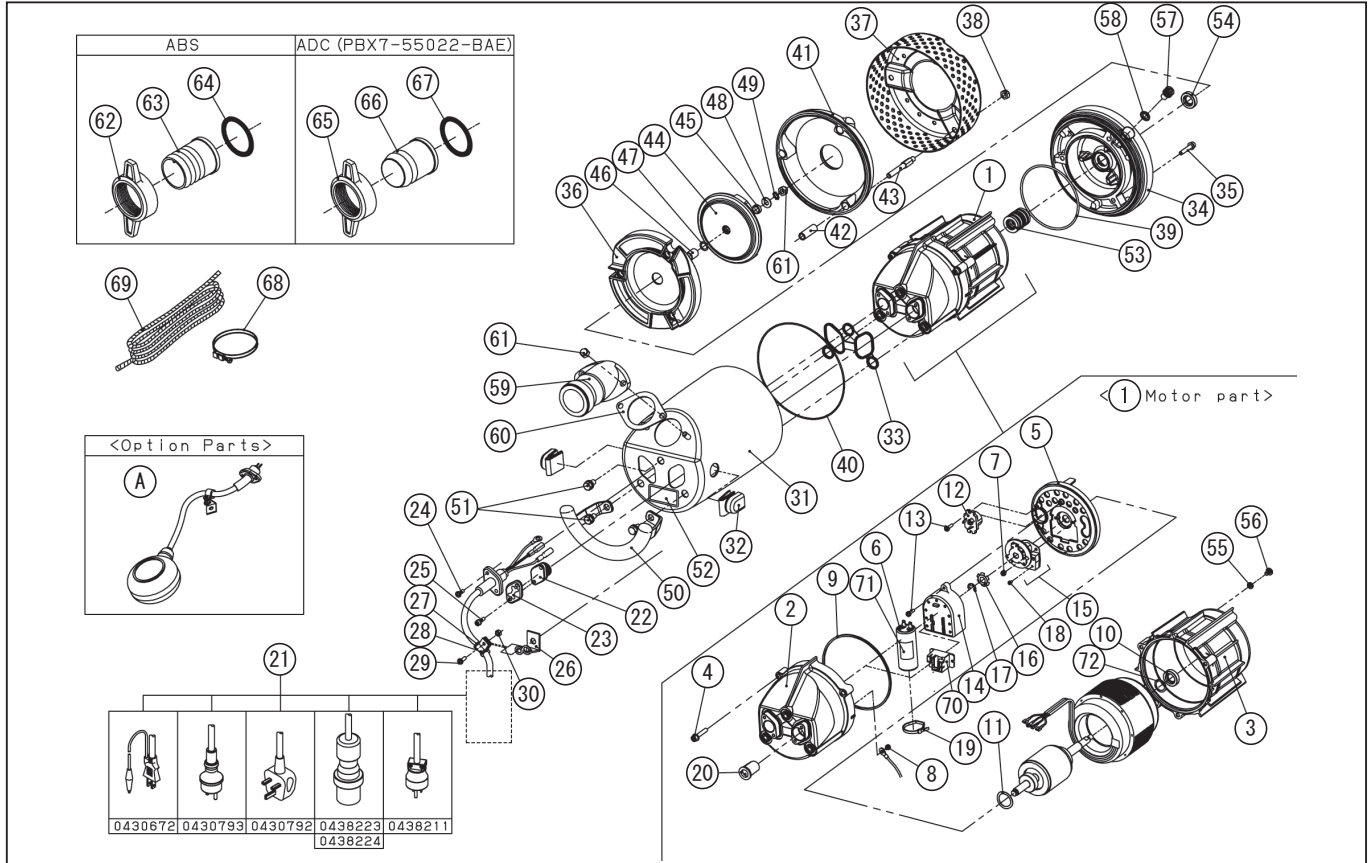


PBX7-55022-BAA/BAB/BAC/BAD/BAE
 PBX7-55011-BAB/BAC
 PBX7-65011-BAB

No.	PARTS CODE	PARTS NAME	QTY	MATERIAL/SIZE	REMARKS
1	0438192	MOTOR SET	1	750W/110V	FOR PBX7-5011
1	0438193	MOTOR SET	1	750W/220V	FOR PBX7-5022
2	0430603	HEAD COVER	1		
3	0430616	MOTOR FRAME	1		
4	734605055	BOLT	3	M6X35	
5	0430610	MOTOR BRACKET	1		
6	0390002	CONDENSER	1	125VAC 150 μF	
7	0430073	+SCREW	2	M4X6	
8	707819036	+SCREW	1	M4X8	
9	0390149	HEAD PACKING	1		
10	893555043	OIL SEAL	1		
11	857627023	WAVE WASHER	1		
12	0430606	THERMAL PROTECTOR	1	SPEC.750W/110V	FOR PBX7-5011
12	0430676	THERMAL PROTECTOR	1	SPEC.750W/220V	FOR PBX7-5022
13	708119040	BOLT	3	M4X16	
14	0430615	CENTRIFUGAL FORCE SWITCH-COVER	1		FOR PBX7-55011, PBX7-65011
14	0430757	CENTRIFUGAL FORCE SWITCH-COVER	1		FOR PBX7-55022
15	0398161	CENTRIFUGAL FORCE SWITCH	1		
16	0390141	TOOTHED WASHER	1		
17	888727008	STOP RING	1		
18	707825018	+SCREW	2	M3X6	
19	0390142	BAND	1		
20	0430607	CONNECTOR	1		
21	0430672	POWER CORD WITH ATYPE PLUG	1	VCT 3CX2.0 mm ² X10m	FOR PBX7-55022-BAA
21	0430793	POWER CORD WITH CEE7/4 SCHUKO PLUG	1	H07RN-F 3GX1.5 mm ² X10m	FOR PBX7-55022-BAB/BAD/BAE
21	0430792	POWER CORD WITH BFTYPE PLUG	1	H07RN-F 3GX1.5 mm ² X10m	FOR PBX7-55022-BAC
21	0438223	POWER CORD WITH B3TYPE PLUG	1	H07RN-F 3GX1.5 mm ² X10m	FOR PBX7-55011-BAB
21	0438224	POWER CORD WITH B3TYPE PLUG	1	H07RN-F 3GX1.5 mm ² X20m	FOR PBX7-55011-BAC
21	0438211	POWER CORD WITH A(WITH GROUND PIN)TYPE PLUG	1	VCT 3CX2.0 mm ² X15m	FOR PBX7-65011-BAB
22	0430620	FLOAT CAP	1		

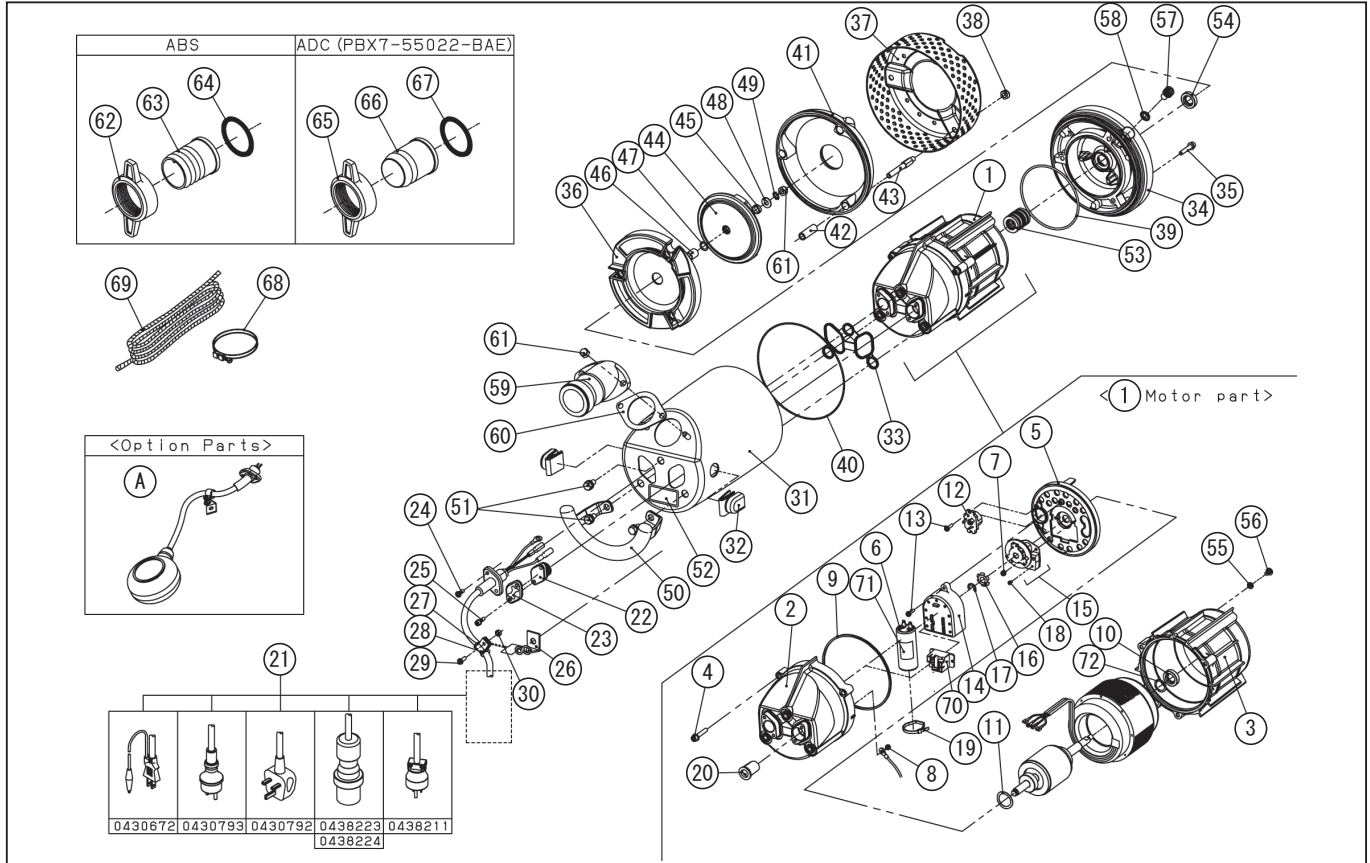
◆ Bare engine can not be supplied



PBX7-55022-BAA/BAB/BAC/BAD/BAE
 PBX7-55011-BAB/BAC
 PBX7-65011-BAB

No.	PARTS CODE	PARTS NAME	QTY	MATERIAL/SIZE	REMARKS
23	0430633	FLOAT CAP HOLDER	1		
24	703305102	+SCREW	2	M5X14	
25	734605036	BOLT	2	M5X18	
26	0438189	CHAIN ASSY	1		
27	0390031	CORD SUPPORTER	1		
28	0260018	CORD BAND	1		
29	703305100	+SCREW	1	M5X10	
30	827305005	NUT	1	M5	
31	0430605	OUT COVER "PONSTAR"	1		FOR PBX7-55022/55011
31	0430653	OUT COVER "KOSHIN"	1		FOR PBX7-65011
32	0430625	AIR VALVE	2		
33	0430621	OUT PAKING	1		
34	0430613	OUTER CASING	1		
35	734605055	BOLT	3	M6X35	
36	0430617	INNER CASING	1		
37	0430225	STRAINER	1		
38	827405008	NUT	3	M8	
39	889955110	O-RING	1	G110	
40	0430634	O-RING	1	S170	
41	0430619	SUCTION COVER	1		
42	0430632	SPACER	3		
43	0430631	STUD BOLT	3		
44	0430609	50HZ IMPELLER	1		
44	0430608	60HZ IMPELLER	1		
45	0430441	IMPELLER BUSH	1		
46	0430656	SLEEVE	1		
47	0390025	IMPELLER ADJUSTING WASHER	2		
48	846505008	WASHER	1		
49	845305008	TOOTHED WASHER	1		
50	0430604	HANDLE	1		

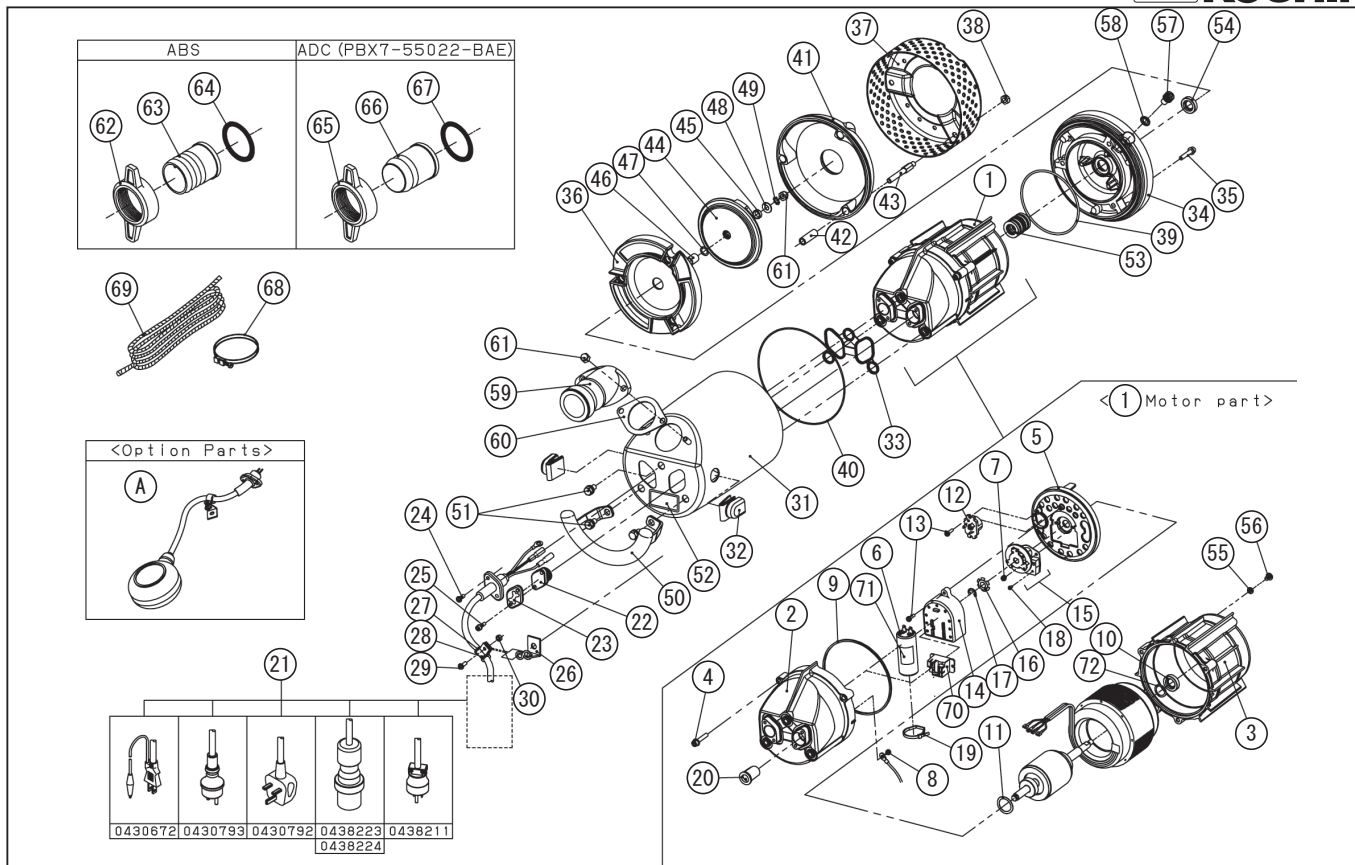
◆ Bare engine can not be supplied



PBX7-55022-BAA/BAB/BAC/BAD/BAE
 PBX7-55011-BAB/BAC
 PBX7-65011-BAB

No.	PARTS CODE	PARTS NAME	QTY	MATERIAL/SIZE	REMARKS
51	0430638	BOLT	3	M8X18	
52	0430643	NAME PLATE	1		FOR PBX7-55022-BAA-0
52	0430662	NAME PLATE	1		FOR PBX7-55022-BAB-0
52	0430663	NAME PLATE	1		FOR PBX7-55022-BAC-0
52	0430720	NAME PLATE	1		FOR PBX7-55022-BAD-0
52	0430721	NAME PLATE	1		FOR PBX7-55022-BAE-0
52	0430642	NAME PLATE	1		FOR PBX7-55011-BAB-0
52	0430724	NAME PLATE	1		FOR PBX7-55011-BAC-0
52	0430641	NAME PLATE	1		FOR PBX7-65011-BAB-0
53	0390003	MECHANICAL SEAL	1		
54	893555043	OIL SEAL	1		
55	0340142	SEAL RING	1		
56	0340153	+SCREW	1	M6X8	
57	0390037	SOCKET BOLT	1	M10X12	
58	854255010	SEAL WASHER	1		
59	0430624	DELIVERY FLANGE(G)	1		FOR PBX-55022-BAB/BAC/BAD/BAE
59	0430624	DELIVERY FLANGE(G)	1		FOR PBX-55011-BAB/BAC
59	0430630	DELIVERY FLANGE(NIPPLE)	1		FOR PBX-55022-BAA
59	0430623	DELIVERY FLANGE(NPT)	1		FOR PBX-65011-BAB
60	0390559	DELIVERY PACKING	1		
61	835305008	CAP NUT	3	M8	
62	0113390	COUPLING	1	ABS	} <ATTACHMENT FOR> PBX7-55022-BAB/BAC/BAD
63	0110356	NIPPLE	1	ABS	
64	0113391	COUPLING PACKING	1	NBR	} <ATTACHMENT FOR> PBX7-55011-BAB/BAC
65	0110355	COUPLING	1	ADC	
66	0112453	NIPPLE	1	ADC	} PBX7-55022-BAE
67	0110766	COUPLING PACKING	1	NBR	
68	940019060	HOSE BAND	1	φ 60	
69	0398157	ROPE	1		FOR PBX7-55022-BAA
70	0430758	POWER RELAY	1		FOR PBX7-55022

◆ Bare engine can not be supplied



PBX7-55022-BAA/BAB/BAC/BAD/BAE
 PBX7-55011-BAB/BAC
 PBX7-65011-BAB

No.	PARTS CODE	PARTS NAME	QTY	MATERIAL/SIZE	REMARKS
71	0430759	CAUTION LABEL	1		FOR PBX7-55022
72	0430761	BEARING WASHER	1		
	0430760	SCOTCH LOK CONNECTOR	2		FOR PBX7-55022
	0438212	LEAD WIRE ASSY A	1		FOR PBX7-55022
	0438213	LEAD WIRE ASSY B	1		FOR PBX7-55022
	0438214	LEAD WIRE ASSY C	1		FOR PBX7-55022
	0438215	LEAD WIRE ASSY D	1		FOR PBX7-55022
	0438216	LEAD WIRE ASSY E	1		FOR PBX7-55022
	734605007	BOLT	2	M3X10	FOR PBX7-55022
	846105003	WASHER	2	M3	FOR PBX7-55022
	827305003	NUT	2	M3	FOR PBX7-55022
	0430599	UK SOCKET	1		FOR PBX7-55022-BAB
	0430659	USA PLUG	1		FOR PBX7-65011-BAB
	0390140	GREASE	1		
	0438209	GROUND WIRE ASSY	1		
	0398141	LEAD WIRE ASSY A	1		FOR PBX7-55011, PBX7-65011
	0398142	LEAD WIRE ASSY B	1		FOR PBX7-55011, PBX7-65011
	0390383	PARAFFIN	2.8		
A	0208570	<OPTIONAL COMPONENTS> FLOAT SWITCH	1	PA-396	

◆ Bare engine can not be supplied