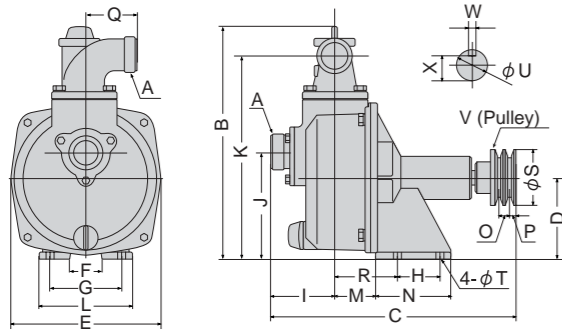


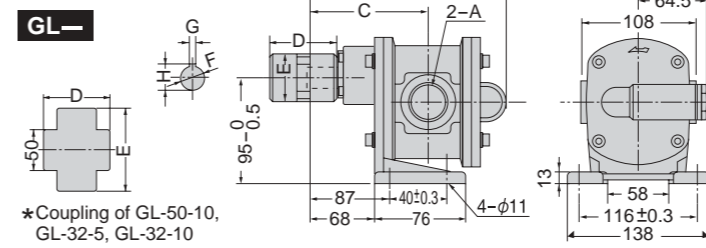
PABOOL PUMP SU-



Model	A	B	C	D	E	G	H	I	J	K	L
SU-25	PS1"	273	260	90	174	130	45	92	121	242	150
SUR-25V	PS1"	319	330	110	209	150	60	86	147	280	190
SU-40(V)	PS1½"	319	341	110	209	150	60	91	147	280	190
SU-50H	PS2"	327	371	115	238	175	80	100	152	287	205
SU-50V	PS2"	378	371	115	238	150	80	100	152	337	205
SU-80L	PS3"	428	404	130	270	205	85	122	175	371	235

M	N	O	P	Q	R	S	T	U	W	V (Pulley)
41	90	15	90	56	71	64	9	19	5	2½"xA2
52	108	15	108	60	85	64	11	19	5	2½"xA2
52	108	15	108	75	85	78	11	19	5	3"xA2
56	127	19	127	76	88	78	11	24	7	3"xB2
56	127	19	127	80	88	78	11	24	7	3"xB2
72	130	19	130	112	102	78	14	24	7	3"xB2

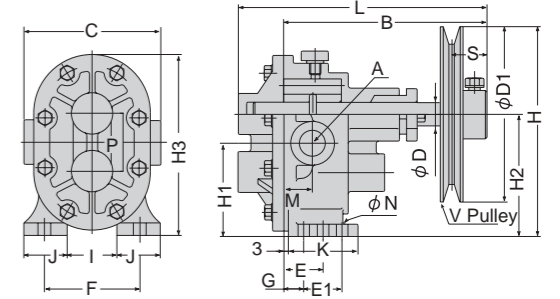
GEAR PUMP GL-



*Coupling of GL-50-10, GL-32-5, GL-32-10

Model	A	B	C	D	E	F	G	H
GL-13-5	PS½"	188.5	112.5	61		14 ^{+0.028} _{+0.008}	5 ^{+0.050} _{+0.020}	16.3 ^{+0.1} ₀
GL-13-5					55	19 ^{+0.030} _{+0.009}	6 ^{+0.035} _{+0.013}	21.8 ^{+0.1} ₀
GL-20-5	PS¾"	196.5	116.5	69		24 ^{+0.030} _{+0.009}		27.3 ^{+0.1} ₀
GL-25-5	PS1"	207.5	122				8 ^{+0.035} _{+0.013}	
GL-32-5	PS1½"	222.5	129.5	93	125	28 ^{+0.030} _{+0.009}		31.3 ^{+0.1} ₀

GB- GC-



Type	A	L	B	C	D	D1	H	H1	H2	H3
GC-13/GB-13	PS½"	181	148	100	18	127	151	67	88	130
GC-20/GB-20	PS¾"	201	165	130	20	152	179	78	103	153
GC-25/GB-25	PS1"	247	204	142	22	203	230	91	129	191

F	J	I	K	E	G	E1	N	M	P	S	Pulley
70	32	36	51	33	-	-	9	21	41	25	A1
97	36	58	30	-	23	28	9	25	50	25	A1
114	38	65	75	-	30	34	10	33	63	24	A1

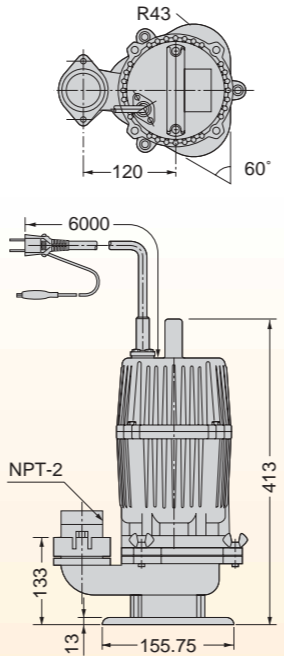
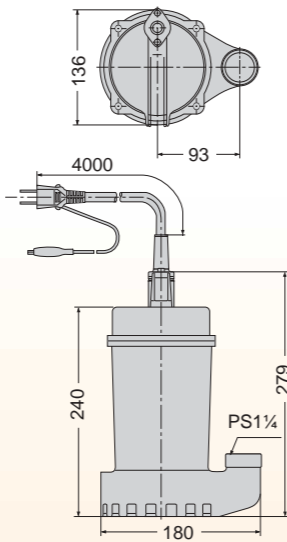
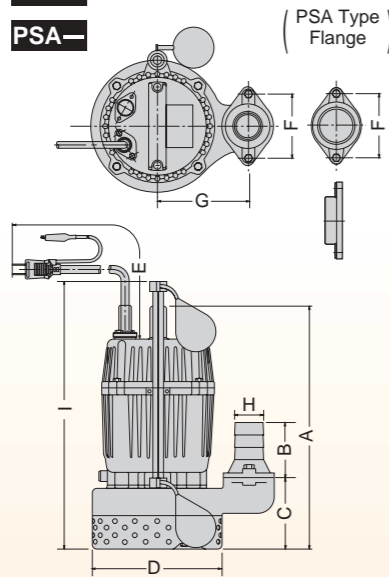
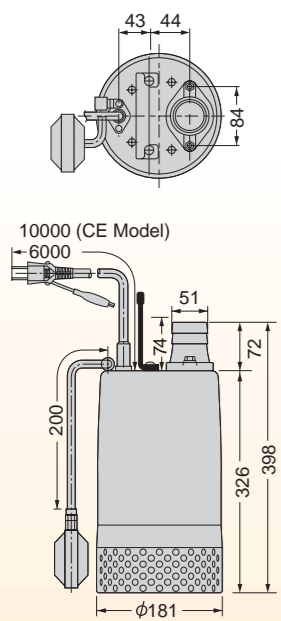
PONSTAR PS-

PB-

PSA-

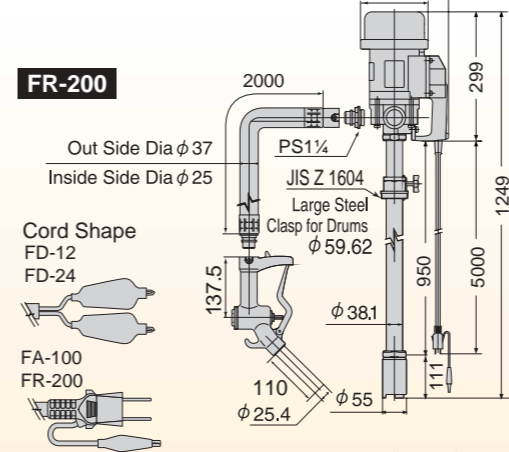
PSK-53222

PKS-55022



Model	A	B	C	D	E	F	G	H	I
PS-PSA-540□□□□640□□	321	69	98	φ170	6000	84	120	φ39	426
PS-PSA-550□□□□650□□	362	72	98	φ170	6000	84	120	φ51	426

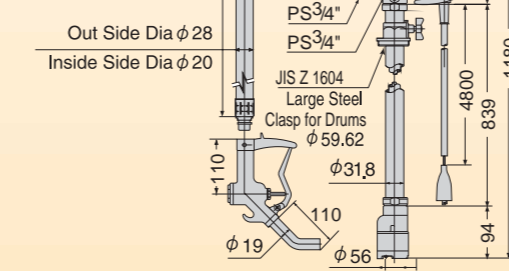
FILL PUMP FR-200



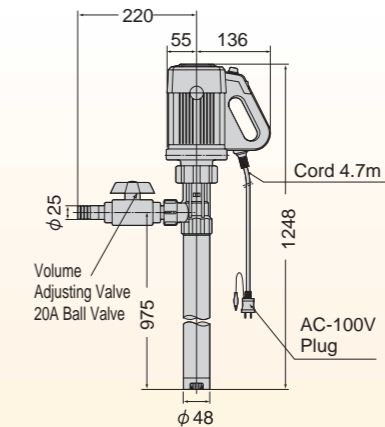
FD-12

FD-24

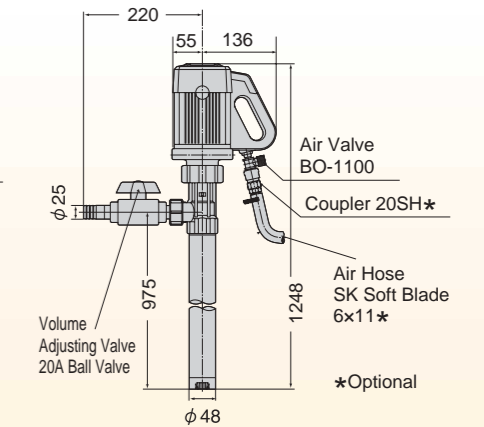
FA-100



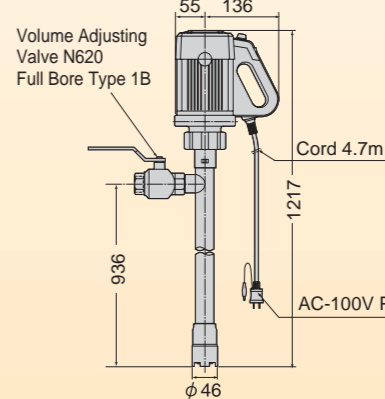
FC-103



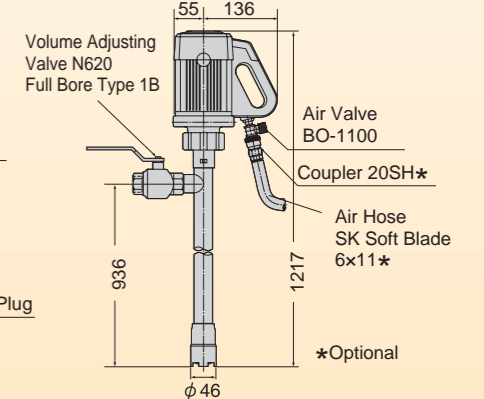
FC-103A



FC-104



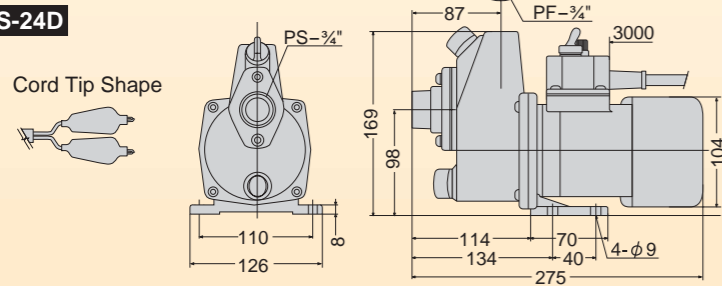
FC-104A



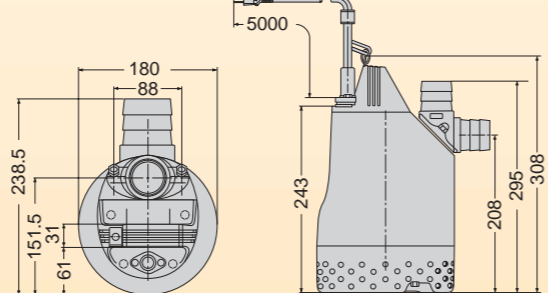
FS PUMP FS-24D

FS-24D

Cord Tip Shape



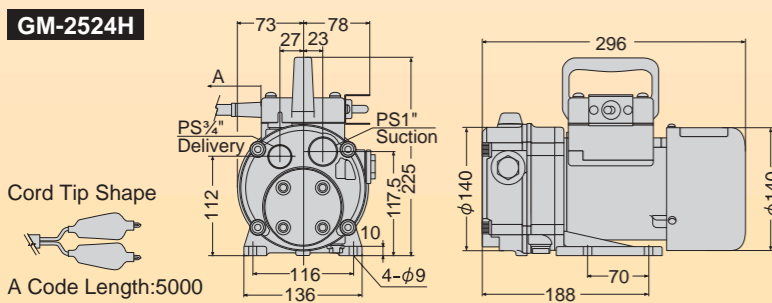
PX-



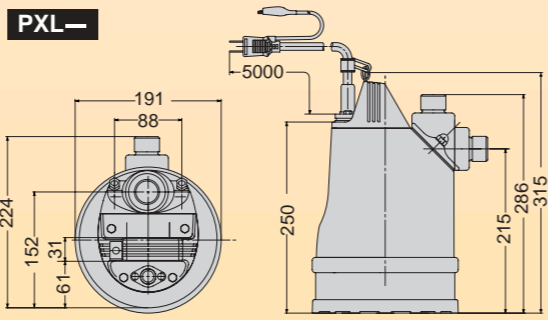
CHANGE-MASTER GM-2524H

GM-2524H

Cord Tip Shape



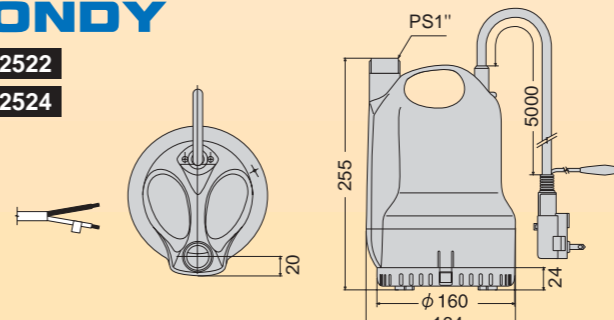
PXL-



PONDY SK-2522

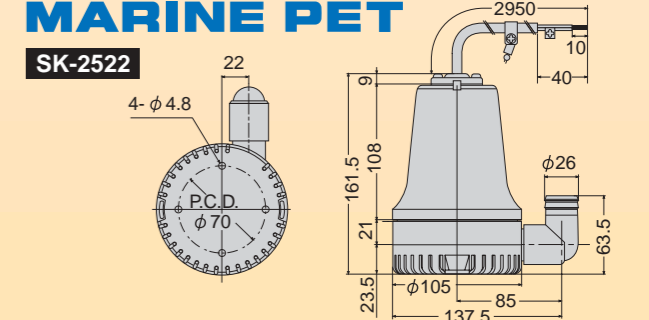
SK-2522

SK-2524



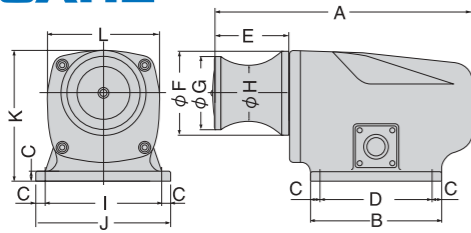
MARINE PET SK-2522

SK-2522

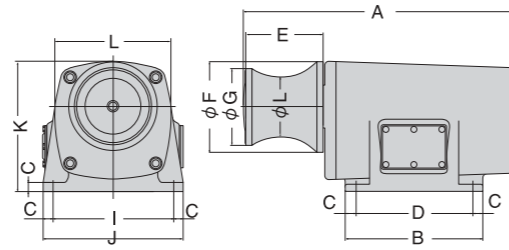


MINI-CARL

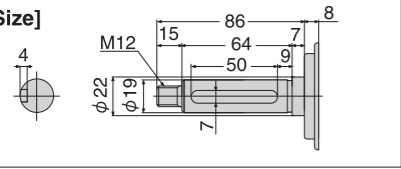
RN-2012H
RN-2512H
RN-2024H



RED-2012H
RED-2024H
RED-2012



[Shaft Size]

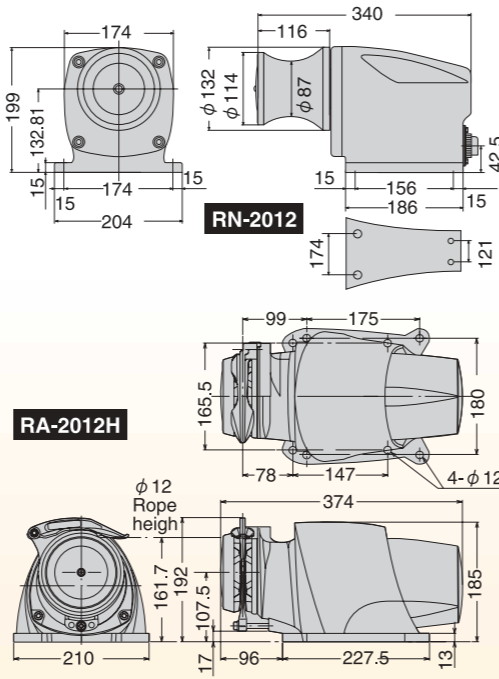
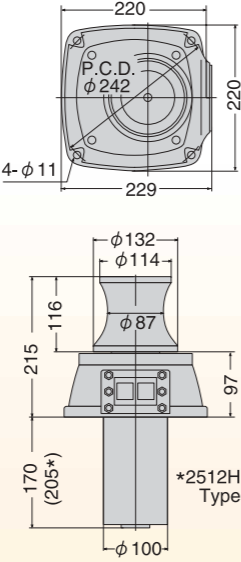
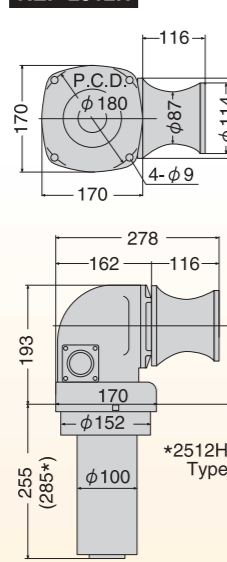
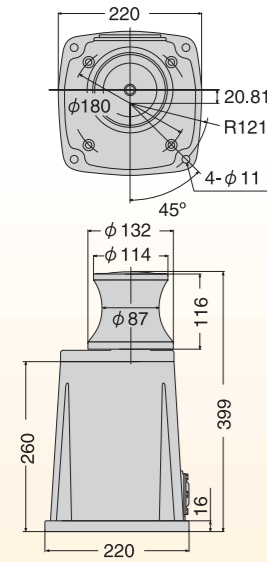


Model	A	B	C	D	E	F	G	H	I	J	K	L
RN-2012H-RN-2024H	403										203	
RN-2512H	433	205	15	175	116	132	114	87	180	210		174
RED-2012H-RED-2024H	402.5											192
RED-2012H	335.5											

RES-2012H

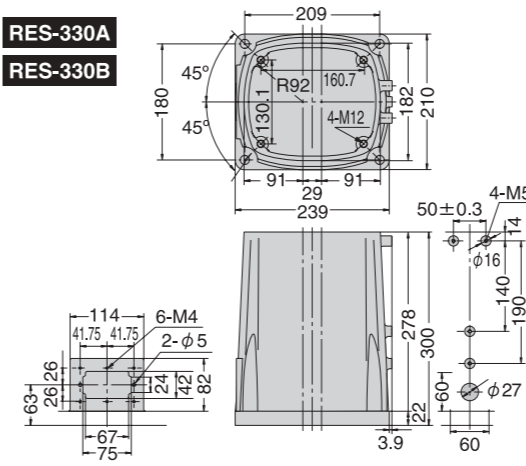
REP-2012H
REP-2512H

RSB-2012H
RSB-2512H

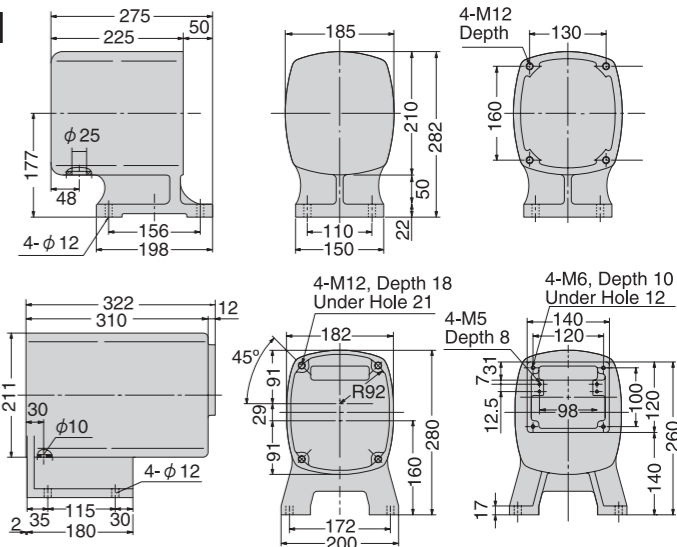


ECARL BOX

RES-330A
RES-330B

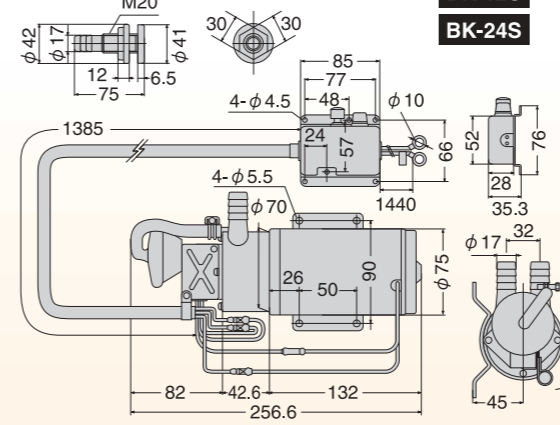


REF-300



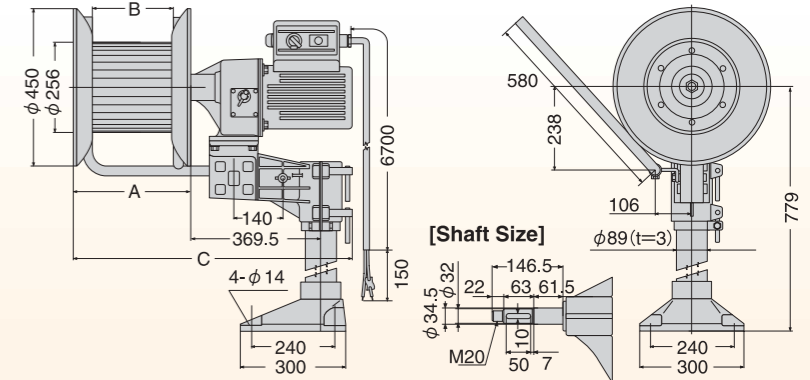
NEW BILGE KING

[Derivately Nozzle]



MAG-ROLLER

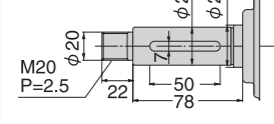
MR-



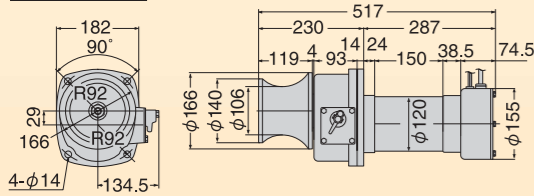
Model	A	B	C
MR-120	210	110	689.5
MR-240	328	228	807.5
MR-360	446	346	925.5

ECARL

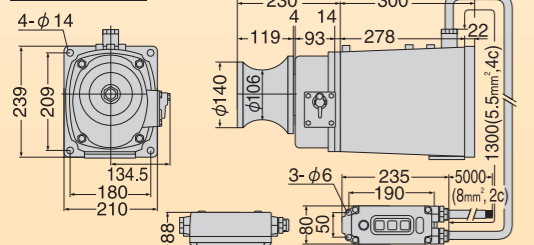
[Shaft Size]



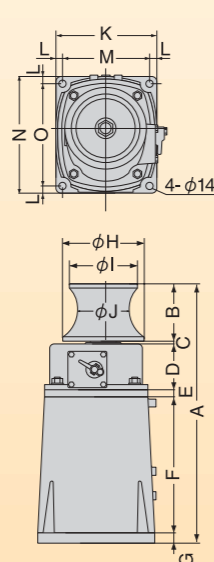
REL-5524LB



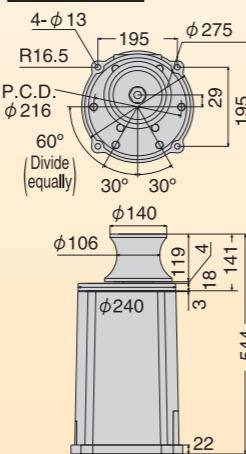
RES-5524LB



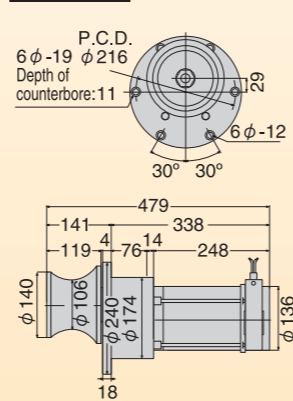
RES-2512
RES-4024(L)
RES-7524



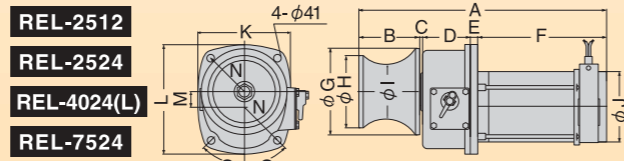
RENS-7524



REN-7524



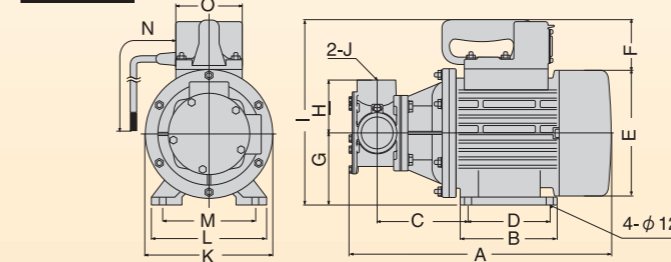
REL-2512
REL-2524
REL-4024(L)
REL-7524



Model	A	B	C	D	E	F	G	H	I	J	K	L	M	N	O
REL-2512(L)	427					197				113	182				
REL-2524	427	119	4	93	14	203	166	140	106	136	211	29	R92	45°	
REL-4024(L)	433					203				136	182				
REL-7524	480		6			248									

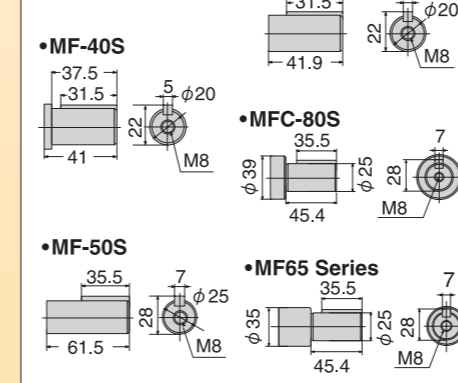
REVOLVEX PUMP

MF-40MS

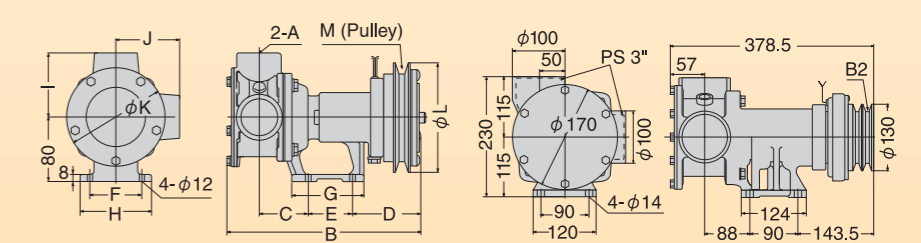


Model	A	B	C	D	E	F	G	H	I	J	K	L	M	N	O
MF-40MS	407	150	143	120	200	90	105	80	293	PS 1/2"	200	170	140	9700	120

[Shaft Size]



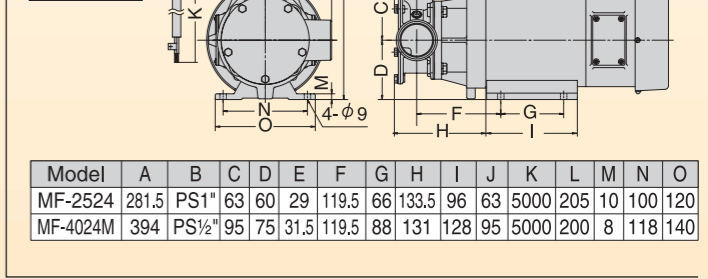
MF- MFC-



Model	A	B	C	D	E	F	G	H	I	J	K	L	M	N(Pulley)
MF-25S-MFC-2524S	PS 1/2"	219(234)	60	72(864)	50	60	85	85	70	70	108	136.5	80	B1
MF-40S-MFC-4024S	PS 1/2"	232(247)	62.5	73(88)	55	60	90	90	80	80	123	136.5	80	B1
MF-50S-MFC-5024S	PS 2"	311(335)	90.5	85.5(108.5)	80	80	105	105	95	95	123	130	91	B2
MFL(C)-65K-MFC-65K	PS 1/2"	384(403)	105	124.5(143.5)	90	90	120	120	115	115	170	130	115	B2

RUBBER MASTER

MF-2524
MF-4024M



Model	A	B	C	D	E	F	G	H	I	J	K	L	M	N	O
MF-2524	281.5	PS 1"	63	60	29	119.5	66	133.5	96	63	5000	205	10	100	120
MF-4024M	394	PS 1 1/2"	95	75	31.5	119.5	88	131	128	95	5000	200	8	118	140