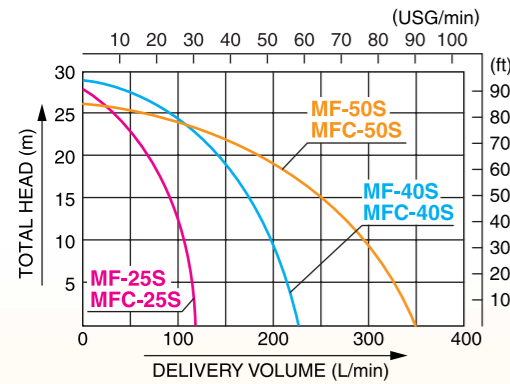


"REVOLVEX PUMPS" Flexible Rubber Impeller for Seawater

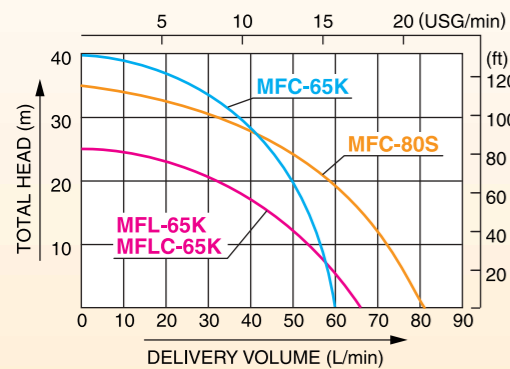


- Complete structure is manufactured from gunmetal, no rusting.
- START/STOP is easily controlled by pressing one switch. (MFC type)
- MFC type is fitted with electromagnetic clutch.
- Easy to replace rubber impeller.
- Self-priming.

Performance Curve



MF-25S



MFC-40S

For Seaweed Model Pumping Up Seaweed at Once, And Transferring it without Damage



- Adopted special impeller to avoid damage by seaweed.
- Special sleeve to transfer seaweed smoothly.

Applications

- Transfer seaweed from small boat to mother ship
- Built in for the machinery for seaweed
- Discharge of bilge water, emergency water discharge
- Washing a deck or hold



MFC-80S

Specifications

(*Products by order)

Model	MF-25S	MF-40S	MF-50S	MFC-65K*	MFC-80S*	MFLC-65K*	MFL-65K*
Connection Dia	25 mm (1")	40 mm (1½")	50 mm (2")	65 mm (2½")	80 mm (3")	65 mm (2½")	
Connection Thread	Inner Pipe Thread						
Material	Bronze Castings (Gunmetal)						
Total Head	28 m (92 ft)	29 m (95 ft)	26 m (85 ft)	40 m (131 ft)	35 m (114 ft)	24 m (78 ft)	
Delivery Volume	115 L/min (30 USG/min)	215 L/min (56 USG/min)	350 L/min (92 USG/min)	600 L/min (158 USG/min)	820 L/min (216 USG/min)	650 L/min (171 USG/min)	
Output	1.5 kw (2.0 PS) / 1750 rpm		3.7 kw (5.0 PS) / 1750 rpm		5.5 kw (7.5 PS) / 1,750 rpm		7.5 kW (10.2 PS) / 1,750 rpm
Number of Blades	9			11		13	
Driving Method	Belt Drive						
Revolution Direction	Anti-clockwise (Watching from Driving Shaft)						
Revolution	500 – 2300 rpm						
Shaft Dia	20 mm (¾")		25 mm (1")		Electromagnetic Clutch		25 mm (1")
Standard Accessory	Parallel Key						
Net Weight	4.8 kg	6 kg	11.6 kg	24.5 kg	31.5 kg	24.5 kg	19.5 kg
Dimensions LxWxH (mm)	250x152x198	270x168x206	347x196x241	460x240x285	430x240x280	480x234x285	460x234x285
Packing Unit	1						

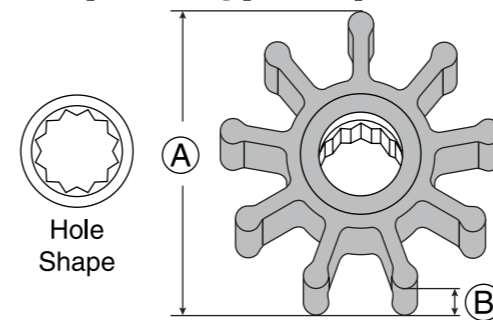
Electromagnetic Clutch Specifications

*In case power is supplied by general purpose engine, choose MFC series (with clutch). (Need power source for clutch.)

Model	MFC-2524S	MFC-4024S	MFC-5024S	Model	MFC-65K MFC-80S MFLC-65K
Pump	MF-25S	MF-40S	MF-50S		
Voltage (Clutch)	DC 24 V				
Capacity (Clutch)	43 W				
Pulley	φ 136.5 (B-1)				
Net Weight (Clutch)	7.6 kg	8.8 kg	18.3 kg		
Dimensions LxWxH (mm)	272 x 160 x 205	292 x 178 x 198	408 x 203 x 223		
Packing Unit	1				

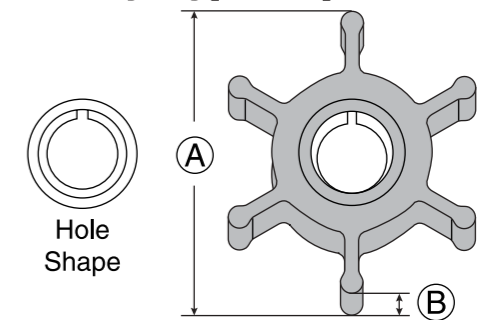
MF Series Impeller List For "REVOLVEX PUMPS" & "RUBBER MASTER"

Spline Type Impeller



MF-25SRL (For MF-25S) (For Seawater)

Key Type Impeller



MFL-65KR (For MFL-65K, MFLC-65K) (For Seawater)

Model	MF-25S MFC-25S	MF-40S MFC-40S	MF-50S MFC-50S MFC-50SX	MFC-65K	MFL-65K MFLC-65K	MFC-80S	MF-40MS	MF-2524	MF-4024X
Application	Seawater							Oil	Seawater
Impeller Model	MF-25SRL	MF-40SRL	MF-50SRL	MF-65KR	MFL-65KR	MF-80SR	MF-40SRL	MF-2524KR	MF-4024KR
(A) Outside Dia	80 mm	94 mm		128.5 mm	143 mm	94 mm		65 mm	90 mm
(B) Thickness	54 mm	63 mm	95 mm	102 mm	105.4 mm	63 mm		41 mm	46 mm
Number of Blades	9			11	6	13	9	8	
Shape of Shaft	Spline			Key		Spline		Key	
Material	Chloroprene Rubber (Neoprene)							Nitrile Butyl Rubber	Chloroprene Rubber (Neoprene)

Long Durability "REVOLVEX PUMP with MOTOR" & "RUBBER MASTER"

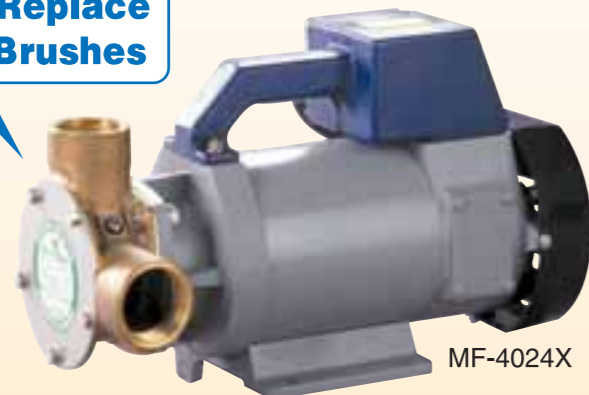
- Compact design and can be removed on the deck easily.
- Small and compact, but, large delivery volume for this class of pumps.
- They can be used continuously with motor fan.
- Dry prime pump, no need to prime with water, immediate suction.

Easy to Remove in The Ship



MF-40MS

Easy to Replace Carbon Brushes

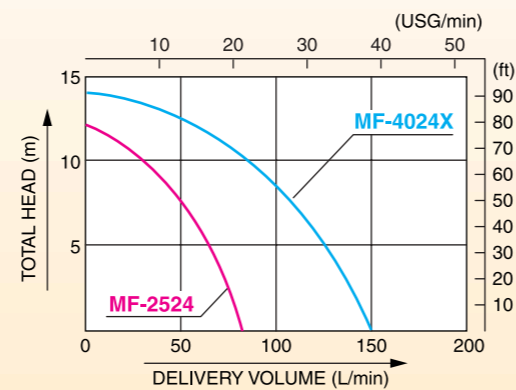
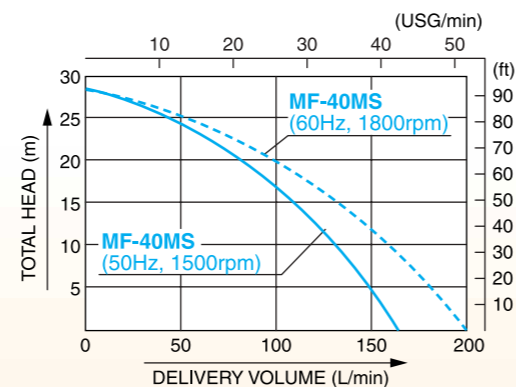


MF-4024X



* To transfer fuel, please use special impeller for oil. (Impeller type : MF-2524KN) Please refer to page 47.

Performance Curve



Specifications

Model	MF-40MS	MF-2524	MF-4024X
Connection Dia	40 mm (1½")	25 mm (1")	40 mm (1½")
Connection Thread	Inner Pipe Thread		
Material	Bronze Castings (Gunmetal)		
Total Head	29 m (95 ft)	35 m (114 ft)	14 m (46 ft)
Max. Self-Priming Head	5 m (16 ft)	3.5 m (11 ft)	
Delivery Volume	60 Hz : 200 L/min (52 USG/min) 50 Hz : 170 L/min (44 USG/min)	80 L/min (21 USG/min)	150 L/min (39 USG/min)
Voltage	Three Phase 200 V		DC 24V
Current	6.8 A / 50 Hz, 6.0 A / 60 Hz		12 - 15 A
Output	1.5 kW		250 W
Power Cord	10 m (1.25 mm ²)		10 m (2.5 mm ²)
Standard Accessories	1 Strainer, 1 Hose Band (φ48)	1 Strainer, 2 Connecting Nipples (φ32), 3 Hose Bands (φ32)	1 Strainer, 1 Hose Band (φ48)
Net Weight	24 kg	8.3 kg	20 kg
Dimensions LxWxH (mm)	498 x 254 x 359	315 x 213 x 238	429 x 230 x 295
Packing Unit	1		

"FS PUMPS" Marine Self-priming Pump for Seawater

- Specially designed for use with seawater.
- Pump and motor are constructed to withstand seawater and operated by a DC 24 V power source.
 1. Seawater proof motor: These motors are specially designed for seawater applications.
 2. Special aluminum compound for motor casing is made to withstand seawater corrosion. Moreover, this material does not add heavy weight to the pump.

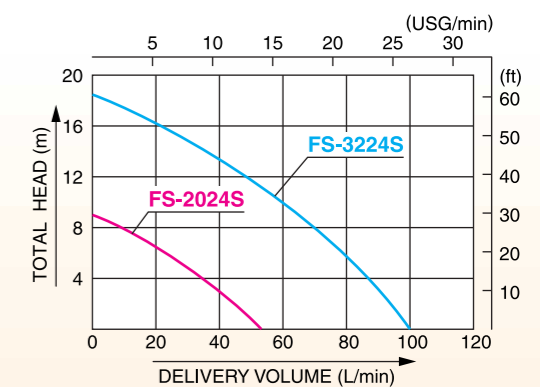


FS-3224S

Specifications

Model	FS-2024S	FS-3224S
Connection Dia	20 mm (¾")	32 mm (1¼")
Connection Thread	Inner Pipe Thread	
Total Head	9 m (30 ft)	18.5 m (60 ft)
Delivery Volume	50 L/min (13 USG/min)	100 L/min (26 USG/min)
Voltage	DC 24 V	
Rated Current	7 A	16 A
Output	90 W / 7000 rpm	200 W / 6200 rpm
Rating	Continuous	
Power Cord	3 m (10 ft)	5 m (16 ft)
Standard Accessories	1 Strainer, 2 Hose Nipples, 1 Set Carbon Brush	
Gross Weight	28.5 kg	28 kg
Dimensions LxWxH (mm)	790 x 305 x 252	565 x 395 x 340
Packing Unit	5	3

Performance Curve



Application for Koshin Marine Products

